

# HBSO-OIL LEVEL SWITCH

- \* The HBSO OIL LEVEL SENSOR is a unique oil level switch, for industrial applications.
- \* Operating according to the capacitive principle (improved).
- \* The sensor is designed especially for use in oil systems for refrigeration applications.
- \* Unaffected by oil-foam, oil-splashing or oil-coating.
- \* Split version for easy change/test of the electronic part.

- \* HBSO OIL LEVEL SENSOR has a PNP or NPN digital ON/OFF output, load maximum 50mA.
- \* Indicator = wet ON. Red LED change from normal OFF to light constantly.
- \* Output is standard Normal Open (NO), Normal Close (NC)/Fail Safe (FS) is an option.
- \* Supply and output is DC isolated from ground with a 500V capacitor.

**Note:**

Switch delay, could be caused by gas in the system.

Position or change of the electronic part can easily be done by the M4 or M5 fixing screw.

Type 1 sensors to be used for Mineral Oil, PAO and PEO Oil, tested in Fuchs L55E, Fuch Reniso C170E, PA068, PEO120, HT and AB Oil.

Type 2 sensors to be used for PAG Oil, tested in PAG68 and PAG46 Oil.

Ordering code/type: HBSO2/ooo/xxx/zzz/FS  
(ooo=PNP or NPN/xxx=THREAD TYPE/zzz=SIZE)

Label code: HBSO-2 OIL SWITCH PNP FS 1/2" NPT, 24V DC V60MYY

Batch no.

Output type

Fail Safe/(NC)

Thread size

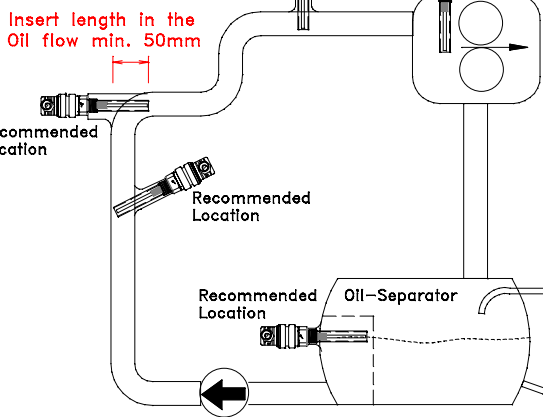
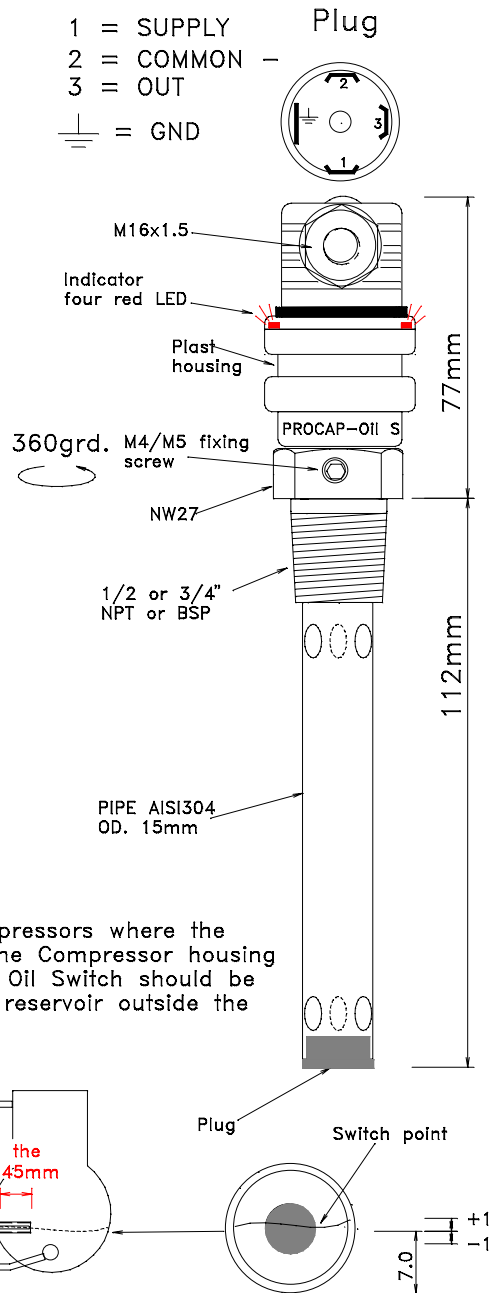
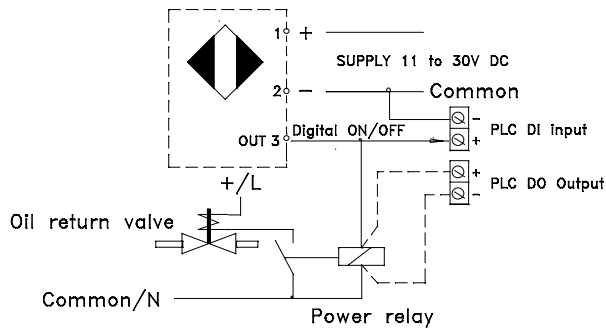
Thread type

Ver. no.

Mont

Type

**Electrical Connection PNP**



**Note:**  
On small Compressors where the space inside the Compressor housing is limited, the Oil Switch should be mounted in a reservoir outside the Compressor.

**Your Sensor Specialist**  
[www.hbproduct.dk](http://www.hbproduct.dk)

