

HBHE HEATING ELEMENT

- * Heating Element HBHE designed to avoid build up of ice on HBSR and HBSC2 Switches.
- * Keeps the switches ice proof, where else the sensor would be surrounded by ice.
- * Recommended for low temp. application (below -30C/-22F)
- * The heating element is based on PTC thermistors with overheat protection.

Specifications

Main supply:.....24DC or 110/240V AC
 Power consumption:.....3W +/-1W
 Protection Class:.....IP65
 Temperature range:.....-50 to +60C (-58 to +140F)
 Safety standard:.....IEC, UL, VDE, CSA.

Material Housing:.....Aluminium.

Note:

Only Heating Element type HBHE/M can be used in connection with HBPA Power Adaptor!

Ordering code:

HBHE/_
 L: 24V AC/DC
 M: Main Supply 90-240V AC

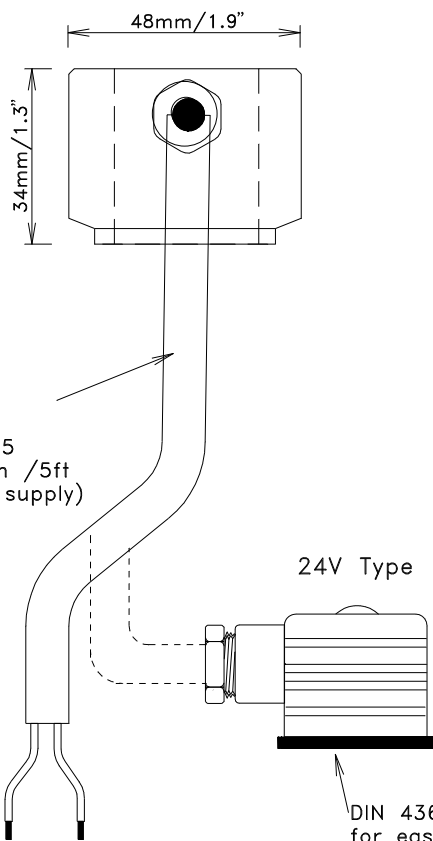
Label code (eg.):

HBHE/L Heating Element 24V DC V10MMYY

Supply Voltage

Ver.no. Month/Year

HBHE/L mounted on HBSC2



Brown = L, SUPPLY 90 to 240V AC
 Blue = N



HBHE/L with DIN Plug

History:
 2010/04: Label/ordering code changed

HBHE/10.04/MK